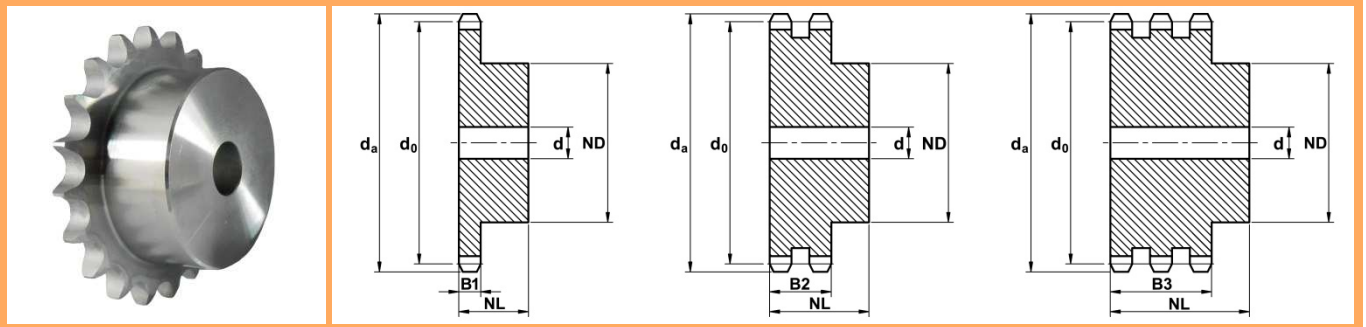


Kettenräder 24B (1" 1/2 x 1")

Für Rollenketten nach DIN 8187



Zahnbreite B1 : 24,1

Zahnbreite B2 : 72,0

Zahnbreite B3 : 120,3

Mat. C45 / St52

Z	da	d0	einfach				zweifach				dreifach						
			Artikel-Nr.	ND	d	NL	kg	Artikel-Nr.	ND	d	NL	kg	Artikel-Nr.	ND	d	NL	kg
8	115,00	99,55	R1B24Z008	58	20	45	1,51	R2B24Z008	58	25	95	3,38	R3B24Z008	58	25	140	5,12
9	126,40	111,40	R1B24Z009	70	20	45	2,02	R2B24Z009	70	25	95	4,45	R3B24Z009	70	25	140	6,69
10	138,00	123,29	R1B24Z010	80	20	45	2,60	R2B24Z010	80	25	95	5,63	R3B24Z010	80	25	140	8,45
11	150,00	135,21	R1B24Z011	90	25	50	3,47	R2B24Z011	90	25	100	7,20	R3B24Z011	90	25	150	10,93
12	162,00	147,22	R1B24Z012	102	25	50	4,32	R2B24Z012	102	25	100	8,81	R3B24Z012	102	25	150	13,32
13	174,20	159,18	R1B24Z013	114	25	50	5,15	R2B24Z013	114	25	100	10,59	R3B24Z013	114	25	150	15,98
14	186,20	171,22	R1B24Z014	128	25	50	6,33	R2B24Z014	128	25	100	12,63	R3B24Z014	128	25	150	18,99
15	198,20	183,26	R1B24Z015	140	25	50	7,17	R2B24Z015	140	25	100	14,78	R3B24Z015	140	25	150	22,18
16	210,30	195,30	R1B24Z016	140	25	55	8,66	R2B24Z016	140	25	100	16,49	R3B24Z016	140	25	150	24,99
17	222,30	207,34	R1B24Z017	140	25	55	9,19	R2B24Z017	150	25	100	18,84	R3B24Z017	150	25	150	28,55
18	234,30	219,42	R1B24Z018	140	25	55	9,99	R2B24Z018	160	25	100	21,35	R3B24Z018	160	25	150	32,36
19	246,50	231,49	R1B24Z019	140	25	55	10,70	R2B24Z019	160	25	100	23,46	R3B24Z019	160	25	150	35,82
20	258,60	243,57	R1B24Z020	140	25	55	11,51	R2B24Z020	160	25	100	25,70	R3B24Z020	160	25	150	39,51
21	270,60	255,65	R1B24Z021	150	25	60	13,57	R2B24Z021	160	25	100	28,08	R3B24Z021	160	30	150	43,42
22	282,70	267,73	R1B24Z022	150	25	60	14,54	R2B24Z022	160	25	100	30,60	R3B24Z022	160	30	150	47,56
23	294,80	279,80	R1B24Z023	150	25	60	15,40	R2B24Z023	160	25	100	33,25	R3B24Z023	160	30	150	51,93
24	306,80	291,88	R1B24Z024	150	25	60	16,42	R2B24Z024	160	25	100	36,04	R3B24Z024	160	30	150	56,52
25	319,00	304,00	R1B24Z025	150	25	60	17,43	R2B24Z025	160	25	100	38,98	R3B24Z025	160	30	150	61,35
26	331,00	316,08	R1B24Z026	160	30	60	19,17	R2B24Z026	160	30	100	42,05	R3B24Z026	160	30	150	66,42
27	343,20	328,19	R1B24Z027	160	30	60	20,18	R2B24Z027	160	30	100	45,26	R3B24Z027	160	30	150	71,71
28	355,20	340,27	R1B24Z028	160	30	60	21,42	R2B24Z028	160	30	100	48,62	R3B24Z028	160	30	150	77,25
29	367,30	352,38	R1B24Z029	160	30	60	22,66	R2B24Z029	160	30	100	52,12	R3B24Z029	160	30	150	83,02
30	379,50	364,50	R1B24Z030	160	30	60	24,01	R2B24Z030	160	30	100	55,77	R3B24Z030	160	40	150	89,04
31	391,60	376,62	R1B24Z031	160	30	60	25,34	R2B24Z031	170	30	100	60,13					
32	403,70	388,69	R1B24Z032	160	30	60	27,87	R2B24Z032	170	30	100	64,07	R3B24Z032	170	40	150	102,40
33	415,80	400,81	R1B24Z033	160	30	60	28,14	R2B24Z033	170	30	100	68,15	R3B24Z033	170	40	150	109,14
34	427,80	412,93	R1B24Z034	160	30	60	29,37	R2B24Z034	170	30	100	72,38	R3B24Z034	170	40	150	116,13
35	440,00	425,04	R1B24Z035	160	30	60	31,14	R2B24Z035	170	30	100	76,76	R3B24Z035	170	40	150	123,37
36	452,00	437,16	R1B24Z036	160	30	60	32,27	R2B24Z036	170	30	100	81,29	R3B24Z036	170	40	150	130,85
37	464,20	449,27	R1B24Z037	160	30	60	33,52	R2B24Z037	170	30	100	85,97					
38	476,20	461,39	R1B24Z038	160	30	60	36,01	R2B24Z038	170	30	100	90,80	R3B24Z038	170	40	150	146,57
39	488,50	473,50	R1B24Z039	160	30	60	37,73	R2B24Z039	170	30	100	95,78					
40	500,60	485,62	R1B24Z040	160	30	60	39,51	R2B24Z040	170	30	100	100,92	R3B24Z040	170	40	150	163,30