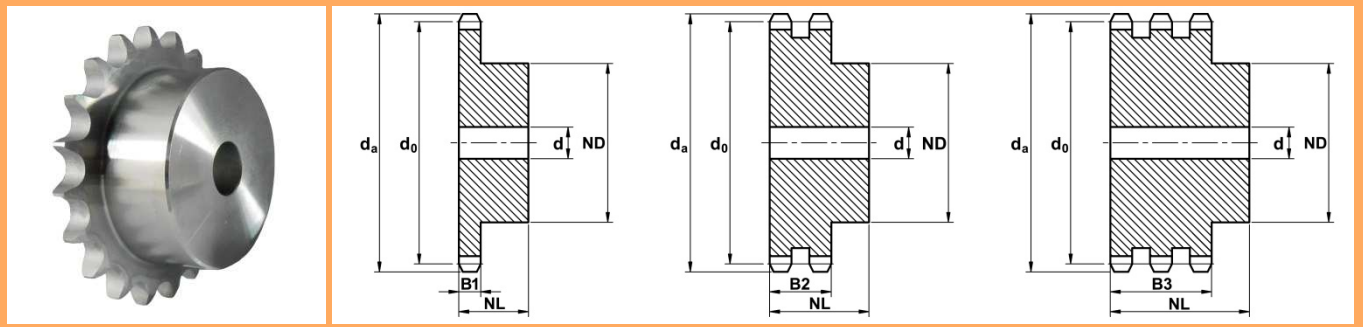


Kettenräder 16B (1" x 17,02 mm)

Für Rollenketten nach DIN 8187



Zahnbreite B1 : 16,2

Zahnbreite B2 : 47,7

Zahnbreite B3 : 79,6

Mat. C45 / St52

Z	da	d0	einfach					zweifach					dreifach				
			Artikel-Nr.	ND	d	NL	kg	Artikel-Nr.	ND	d	NL	kg	Artikel-Nr.	ND	d	NL	kg
8	77,00	66,37	R1B16Z008	42	16	35	0,51	R2B16Z008	42	16	65	0,98	R3B16Z008	42	20	95	1,45
9	85,00	74,27	R1B16Z009	50	16	35	0,69	R2B16Z009	50	16	65	1,30	R3B16Z009	50	20	95	1,88
10	93,00	82,19	R1B16Z010	55	16	35	0,86	R2B16Z010	56	16	65	1,67	R3B16Z010	56	20	95	2,41
11	99,50	90,14	R1B16Z011	61	16	40	1,17	R2B16Z011	64	20	70	2,17	R3B16Z011	64	25	100	3,14
12	109,00	98,14	R1B16Z012	69	16	40	1,47	R2B16Z012	72	20	70	2,67	R3B16Z012	72	25	100	3,80
13	117,00	106,12	R1B16Z013	78	16	40	1,81	R2B16Z013	80	20	70	3,27	R3B16Z013	80	25	100	4,62
14	125,00	114,15	R1B16Z014	84	16	40	2,11	R2B16Z014	88	20	70	3,88	R3B16Z014	88	25	100	5,46
15	133,00	122,17	R1B16Z015	92	16	40	2,65	R2B16Z015	96	20	70	4,58	R3B16Z015	96	25	100	6,25
16	141,00	130,2	R1B16Z016	100	20	45	3,16	R2B16Z016	104	20	70	5,24	R3B16Z016	104	30	100	6,98
17	149,00	138,22	R1B16Z017	100	20	45	3,37	R2B16Z017	112	20	70	6,12	R3B16Z017	112	30	100	8,24
18	157,00	146,28	R1B16Z018	100	20	45	3,61	R2B16Z018	120	20	70	6,97	R3B16Z018	120	30	100	9,40
19	165,20	154,33	R1B16Z019	100	20	45	3,83	R2B16Z019	128	20	70	7,83	R3B16Z019	128	30	100	10,56
20	173,20	162,38	R1B16Z020	100	20	45	4,05	R2B16Z020	130	20	70	8,52	R3B16Z020	130	30	100	11,61
21	181,20	170,43	R1B16Z021	110	20	50	5,08	R2B16Z021	130	25	70	9,26	R3B16Z021	130	30	100	12,96
22	189,30	178,48	R1B16Z022	110	20	50	5,31	R2B16Z022	130	25	70	10,04	R3B16Z022	130	30	100	14,23
23	197,50	186,53	R1B16Z023	110	20	50	5,55	R2B16Z023	130	25	70	10,82	R3B16Z023	130	30	100	15,49
24	205,50	194,59	R1B16Z024	110	20	50	5,87	R2B16Z024	130	25	70	11,63	R3B16Z024	130	30	100	16,71
25	213,50	202,66	R1B16Z025	110	20	50	6,08	R2B16Z025	130	25	70	12,60	R3B16Z025	130	30	100	18,36
26	221,60	210,72	R1B16Z026	120	20	50	7,07	R2B16Z026	130	25	70	13,40	R3B16Z026	130	30	100	19,30
27	229,60	218,79	R1B16Z027	120	20	50	7,21	R2B16Z027	130	25	70	14,19	R3B16Z027	130	30	100	20,67
28	237,70	226,85	R1B16Z028	120	20	50	7,45	R2B16Z028	130	25	70	15,10	R3B16Z028	130	30	100	22,17
29	245,80	234,92	R1B16Z029	120	20	50	7,99	R2B16Z029	130	25	70	16,25	R3B16Z029	130	30	100	23,85
30	254,00	243,00	R1B16Z030	120	20	50	8,38	R2B16Z030	130	25	70	17,38	R3B16Z030	130	30	100	25,62
31	262,00	251,08	R1B16Z031	120	25	50	8,69	R2B16Z031	140	25	70	18,69	R3B16Z031	140	30	100	27,26
32	270,00	259,13	R1B16Z032	120	25	50	8,91	R2B16Z032	140	25	70	20,30	R3B16Z032	140	30	100	30,12
33	278,50	267,21	R1B16Z033	120	25	50	9,37	R2B16Z033	140	25	70	20,97	R3B16Z033	140	30	100	30,95
34	287,00	275,28	R1B16Z034	120	25	50	9,76	R2B16Z034	140	25	70	22,16	R3B16Z034	140	30	100	32,85
35	296,20	283,36	R1B16Z035	120	25	50	10,20	R2B16Z035	140	25	70	23,70	R3B16Z035	140	30	100	35,35
36	304,60	291,44	R1B16Z036	120	25	50	10,66	R2B16Z036	140	25	70	24,65	R3B16Z036	140	30	100	36,72
37	312,60	299,51	R1B16Z037	120	25	50	11,14	R2B16Z037	140	25	70	26,40	R3B16Z037	140	30	100	39,59
38	320,70	307,59	R1B16Z038	120	25	50	11,62	R2B16Z038	140	25	70	27,80	R3B16Z038	140	30	100	41,79
39	328,80	315,67	R1B16Z039	120	25	50	12,12	R2B16Z039	140	25	70	28,66	R3B16Z039	140	30	100	42,94
40	336,90	323,75	R1B16Z040	120	25	50	12,64	R2B16Z040	140	25	70	30,06	R3B16Z040	140	30	100	45,12