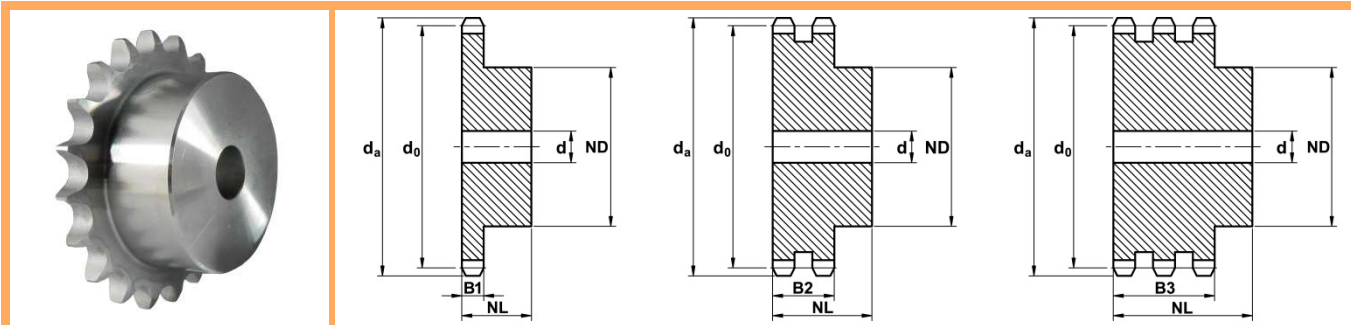


Kettenräder 12B (3/4" x 7/16")

Für Rollenketten nach DIN 8187



Zahnbreite B1 : 11,1

Zahnbreite B2 : 30,3

Zahnbreite B3 : 49,8

Mat. C45 / St52

Z	da	d0	einfach					zweifach					dreifach				
			Artikel-Nr.	ND	d	NL	kg	Artikel-Nr.	ND	d	NL	kg	Artikel-Nr.	ND	d	NL	kg
8	57,60	49,78	R1B12Z008	31	12	30	0,21	R2B12Z008	31	12	45	0,32	R3B12Z008	31	16	65	0,52
9	62,00	55,70	R1B12Z009	37	12	30	0,30	R2B12Z009	37	12	45	0,46	R3B12Z009	37	16	65	0,67
10	69,00	61,64	R1B12Z010	42	12	30	0,39	R2B12Z010	42	12	45	0,60	R3B12Z010	42	16	65	0,93
11	75,00	67,61	R1B12Z011	46	14	35	0,52	R2B12Z011	47	16	50	0,82	R3B12Z011	47	20	70	1,08
12	81,50	73,61	R1B12Z012	52	14	35	0,67	R2B12Z012	53	16	50	0,96	R3B12Z012	53	20	70	1,39
13	87,50	79,59	R1B12Z013	58	14	35	0,82	R2B12Z013	59	16	50	1,25	R3B12Z013	59	20	70	1,73
14	93,60	85,61	R1B12Z014	64	14	35	1,00	R2B12Z014	65	16	50	1,52	R3B12Z014	65	20	70	2,09
15	99,80	91,63	R1B12Z015	70	14	35	1,18	R2B12Z015	71	16	50	1,79	R3B12Z015	71	20	70	2,48
16	105,50	97,65	R1B12Z016	75	16	35	1,35	R2B12Z016	77	20	50	2,04	R3B12Z016	77	20	70	2,88
17	111,50	103,67	R1B12Z017	80	16	35	1,54	R2B12Z017	83	20	50	2,36	R3B12Z017	83	20	70	3,36
18	118,00	109,71	R1B12Z018	80	16	35	1,62	R2B12Z018	89	20	50	2,70	R3B12Z018	89	20	70	3,82
19	124,20	115,75	R1B12Z019	80	16	35	1,71	R2B12Z019	95	20	50	3,04	R3B12Z019	95	20	70	4,32
20	129,70	121,78	R1B12Z020	80	16	35	1,80	R2B12Z020	100	20	50	3,37	R3B12Z020	100	20	70	4,83
21	136,00	127,82	R1B12Z021	90	20	40	2,35	R2B12Z021	100	20	50	3,67	R3B12Z021	100	20	70	5,30
22	141,80	133,86	R1B12Z022	90	20	40	2,45	R2B12Z022	100	20	50	3,97	R3B12Z022	100	20	70	5,70
23	149,00	139,90	R1B12Z023	90	20	40	2,58	R2B12Z023	110	20	50	4,51	R3B12Z023	110	20	70	6,41
24	153,90	145,94	R1B12Z024	90	20	40	2,67	R2B12Z024	110	20	50	4,79	R3B12Z024	110	20	70	6,98
25	160,00	152,00	R1B12Z025	90	20	40	2,77	R2B12Z025	120	20	50	5,35	R3B12Z025	120	20	70	7,76
26	165,90	158,04	R1B12Z026	95	20	40	3,08	R2B12Z026	120	20	50	5,69	R3B12Z026	120	20	70	8,15
27	172,30	164,09	R1B12Z027	95	20	40	3,23	R2B12Z027	120	20	50	6,06	R3B12Z027	120	20	70	8,83
28	178,00	170,13	R1B12Z028	95	20	40	3,32	R2B12Z028	120	20	50	6,38	R3B12Z028	120	20	70	9,32
29	184,10	176,19	R1B12Z029	95	20	40	3,47	R2B12Z029	120	20	50	6,75	R3B12Z029	120	20	70	9,90
30	190,50	182,25	R1B12Z030	95	20	40	3,61	R2B12Z030	120	20	50	7,14	R3B12Z030	120	20	70	10,60
31	196,30	188,31	R1B12Z031	100	20	40	3,94	R2B12Z031	130	20	50	7,82	R3B12Z031	130	25	70	11,42
32	203,30	194,35	R1B12Z032	100	20	40	4,05	R2B12Z032	130	20	50	8,26	R3B12Z032	130	25	70	12,11
33	209,30	200,40	R1B12Z033	100	20	40	4,22	R2B12Z033	130	20	50	8,65	R3B12Z033	130	25	70	12,83
34	214,60	206,46	R1B12Z034	100	20	40	4,30	R2B12Z034	130	20	50	9,08	R3B12Z034	130	25	70	13,51
35	221,00	212,52	R1B12Z035	100	20	40	4,48	R2B12Z035	130	20	50	9,52	R3B12Z035	130	25	70	14,32
36	226,80	218,58	R1B12Z036	100	20	40	4,70	R2B12Z036	130	25	50	9,92	R3B12Z036	130	25	70	15,07
37	232,90	224,64	R1B12Z037	100	20	40	4,88	R2B12Z037	130	25	50	10,28	R3B12Z037	130	25	70	16,34
38	239,00	230,69	R1B12Z038	100	20	40	5,06	R2B12Z038	130	25	50	10,87	R3B12Z038	130	25	70	16,73
39	245,10	236,75	R1B12Z039	100	20	40	5,30	R2B12Z039	130	25	50	11,25	R3B12Z039	130	25	70	17,58
40	251,30	242,81	R1B12Z040	100	20	40	5,48	R2B12Z040	130	25	50	11,59	R3B12Z040	130	25	70	18,28